

Grinding and Cutting

Guidance Note



What this sheet covers:

The essential hazards and controls when performing Grinding and Cutting Work.

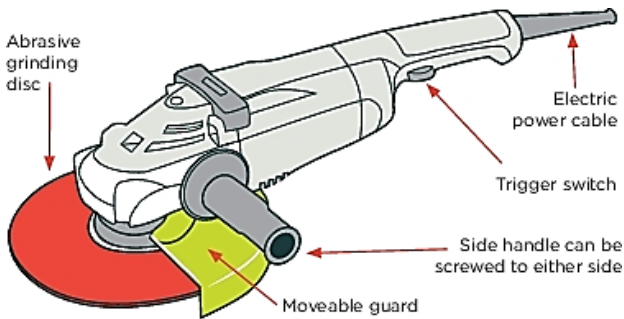
It is aimed at:

Persons whose responsibilities include the management of risk on site.

This document is not a substitute for carrying out a risk assessment.

General

- ✓ A grinder spins a disc of bonded abrasive to grind or cut metal.
- ✓ Different types of discs are available depending on the material that is being worked with.
- ✓ Abrasive discs may be replaced by wire brushes for cleaning, or cloth buffs for polishing.



PPE



Hazards

- Entanglement with turning wheel or disc
- Pressing too hard on a disc may cause it to explode
- Ejected sparks may ignite combustible material
- Flying debris
- Electrical current
- Noise
- Slips, trips & falls around the work area
- Workpieces may jam against discs, breaking them
- Exceeding the RPM of the disc may cause it to explode creating shrapnel
- If a grinder is put down before the disc stops turning it can spin out of control.



Grinding and Cutting

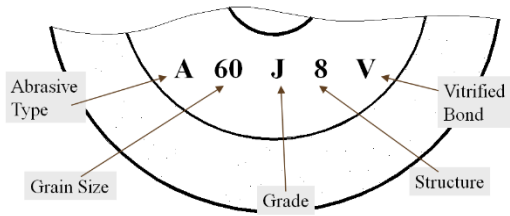


Never fit oversized disc to the grinder

Ensure the speed of the disc matches the grinder speed



Always use a clamp or workbench



Understand the codes on the wheel

使用砂輪時 應注意下列

WARNING NOTICE WHEN USING ABRASIVE WHEELS

危險	安全預防措施	DANGERS	SAFETY PRECAUTIONS
(1) 砂輪破裂之危險	<ul style="list-style-type: none"> 檢查砂輪是否有損壞、裂紋或變形。 檢查砂輪是否正確安裝。 檢查砂輪是否正確安裝。 檢查砂輪是否正確安裝。 	<ul style="list-style-type: none"> (1) Examining of wheel, due to: <ul style="list-style-type: none"> Loose fitting of wheel Overloading Faulty assembly Misuse by operator 	<ul style="list-style-type: none"> Check soundness of wheel by ring test Do not exceed maximum permissible speed of wheel as specified by manufacturer The wheel should be subjected to a normal and controlled period of operation before use Do not use wheel on the side of a straight shank unless the manufacturer is so instructed in the material to be removed property in the wheel design Use wheel guards, and wear personal safety equipment Wheels must be properly used and stored
(2) 砂輪碎片飛出之危險	<ul style="list-style-type: none"> 砂輪破裂時，應立即停止使用。 砂輪破裂時，應立即停止使用。 砂輪破裂時，應立即停止使用。 	<ul style="list-style-type: none"> (2) Fractures of inserted wheels and parts 	<ul style="list-style-type: none"> Use wheel guards, and wear personal safety equipment
(3) 砂輪破裂	<ul style="list-style-type: none"> 砂輪破裂時，應立即停止使用。 砂輪破裂時，應立即停止使用。 	<ul style="list-style-type: none"> (3) Contact with wheel 	<ul style="list-style-type: none"> Use wheel guards, and wear personal safety equipment
(4) 砂輪之碎片可能傷及皮膚	<ul style="list-style-type: none"> 砂輪破裂時，應立即停止使用。 砂輪破裂時，應立即停止使用。 	<ul style="list-style-type: none"> (4) Eye injuries from flying particles 	<ul style="list-style-type: none"> Use wheel guards, and wear personal safety equipment



Display the warning notice

Ensure the tool has an inspection tag

